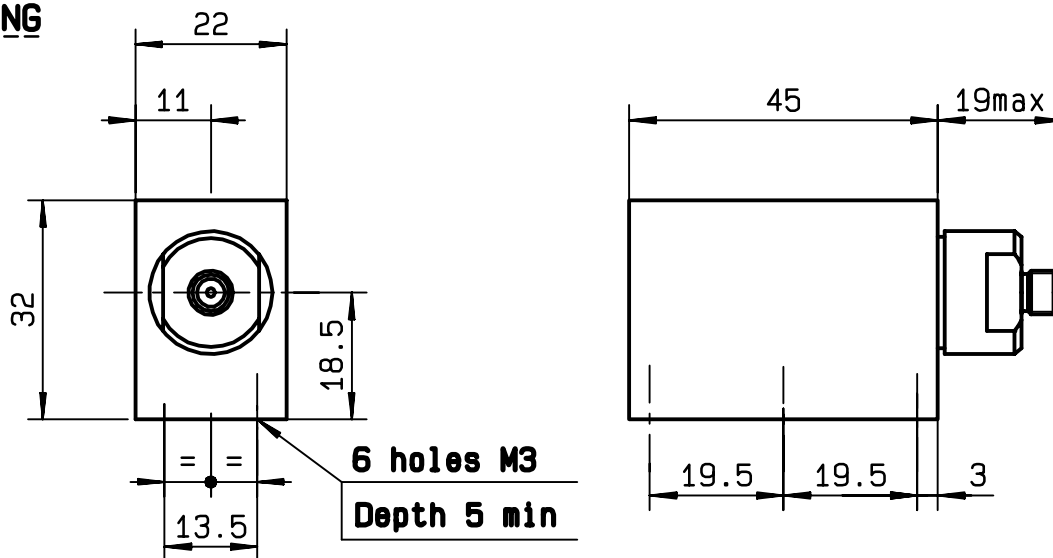


**TITLE:** 50 W 4GHz SMA/fem COAXIAL TERMINATION

**LTR. B**

**DRAWING**



General tolerances: +/- 0.5 mm

**ELECTRICAL CHARACTERISTICS**

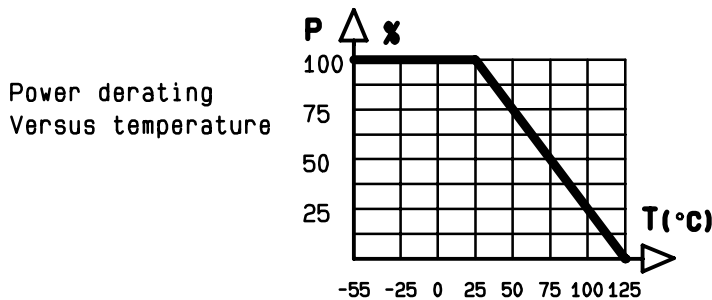
FREQUENCY RANGE	: DC - 4GHz
IMPEDANCE	: 50 Ohms
DC RESISTANCE	: 50 Ohms ± 5%
AVERAGE POWER HANDLING	: 25 W at 25°C
	: 50 W mounted on infinite heatsink
PEAK POWER HANDLING	: 5 kW ( 1 μs, 1%.) at 25°C
V.S.W.R : DC - 2 GHz	: ≤ 1.10
2 - 4 GHz	: ≤ 1.20

**MECHANICAL CHARACTERISTICS**

CONNECTOR	: SMA female per MIL C 39012
MAXIMUM WEIGHT	: 140 grams

**ENVIRONMENTAL CHARACTERISTICS**

OPERATING TEMPERATURE RANGE (°C)	: -55 , +125
STORAGE TEMPERATURE RANGE (°C)	: -55 , +125



Tentative data subject to change without notice

PEN <b>95182</b>	QUALITY Dpt App.					
	PAGE 1 / 1	DATE 26.04.91	NAME KL	LTR	REVISIONS	DATE 03.11.92